

User's Manual V2.0

2008.01.21

Table of Contents

1	About BF-880X/870X.....	3
2	Features	3
2.1	Characteristics	3
2.2	Support functions	3
2.2.1	User management.....	3
2.2.2	System management	4
2.2.3	Door mode.....	4
2.2.4	Log	4
2.2.5	Authentication.....	4
2.2.6	Real time event.....	4
2.2.7	Auxiliary function	4
3	Operation window.....	5
4	User's Menu.....	6
4.1	For password verify user (1:1 verify)	6
4.2	For card verify user (1:N verify).....	7
5	Administrator Menu.....	8
5.1	User	9
5.1.1	Add User : register a new user	9
5.1.1.1	Password verify user	9
5.1.1.2	Card verify user.....	10
5.1.2	Delete User : Del one registered user.....	11
5.1.3	Activate User : To enable authority of user for using BF-660C	12
5.1.4	Deactivate Use : To disenable authority of user for using BF-880X/870X	13
5.2	Settings.....	14
5.2.1	Date & Time: Set time 、 date and week of BF-880X/870X	14
5.2.2	Password: Change manager's password	14
5.2.3	IP Config: Set IP data of BF-880X/870X	15
5.3	Settings.....	15
5.3.1	Reset Users : Delete all registered users	15
5.3.2	Reset Logs : Delete all logs.....	16
5.3.3	IP Config : Reset IP to factory default	16
5.3.4	Reset Group.....	17
5.4	Misc.....	17
5.4.1	User&Log : Display total number of registered users and total number of logs	17
5.4.2	Init Card : Initial TM card to EM format	18

5.4.3	Write Card : Write ID number to TM card.....	18
5.4.4	BF20/485 Reader	19
6	Specifications.....	20
6.1	Module Features.....	20
6.2	Power Supply	20
6.2.1	Voltage	20
6.2.2	Current	20
6.3	Environment.....	20
6.3.1	Temperature and humidity	20
6.3.2	Immunity to electro static discharge	20
6.4	Communication.....	20
6.5	Drivers.....	20
6.6	Capacity	20
6.7	Log entry memory.....	20
6.8	Size(yet to be set).....	20
6.9	Weight	20
6.10	Authentication time.....	20
6.11	Register time	20
6.12	Input	21
6.13	Display	21
7	Appendix.....	21
7.1	Note.....	21
7.2	External connector	21
7.3	Connection example.....	22

1 About BF-880X/870X

BF-880X/870X is developed to manage entrance security, work place time and attendance, over-work time verification and other situation requiring the presence of the authorized personnel. BF-880X/870X supports various I/O protocols. Within 1 Card Reader, 128 X 64 pixel LCD screen, 10 push buttons, 6 function keys, and 1 buzzer. These equipments make BF-880X/870X user-friendly.

Through the Chinese web inside and the function of Master/Slave, you can manage the branch office easily. Beside that, the user can check the in/out log by using IE.

2 Features

2.1 Characteristics

- **Entrance security, time and attendance, over-time management and other applications**
BF-880X/870X system allows for entrance security, work place time and attendance, over-time work. Also, situations that require the presence of the authorized persons at a secured point can take advantage of our BF-880X/870X system.
- **Special function keys may be configured to time and attendance and entrance access management**
4 programmable function keys can be used to manage time and attendance. One BF-880X/870X can be adapted to manage many different kinds of work involving site security control and time and attendance.
- **Use of stand-alone modules and working in conjunction with an ACU**
BF-880X/870X entrance control system may be used as stand-alone units to control entrance traffic or in multiple module configurations Utilizing Weigand protocol to contain with an ACU. Also, direct connection to a PC is possible via TCP/IP protocol when software library bundled. Because BF-880X/870X content RTC and log management capabilities (up to 65,000 records), entrance security and other event management are possible without an ACU.
- **Support Weigan 、RS-485 and TCP/IP communication**
Support 2 Weigan In (26), 1 Weigan Out (26), 1 RS-485 for card reader, 1 TCP/IP connector

2.2 Support functions

2.2.1 User management

- Register a user, provides 2 type of register (1.Password 2.Card)
- Provide 128designations and 128 departments
- User can set the employee limit period separately by truly situation
- User can set the attendance and time by the group
- View all registered ID list
- Delete a user or all users

2.2.2 System management

- You can use the Chinese Http server inside to revise the data and manage employee on IE
- The system sets 2 level accounts and passwords to prevent the setting form change purposely
- You can set the terminal number, title, description, maintenance time, card ID display format and the master/slave function
- You can check the slave data on the slave list
- Set the communicate status on line. For example, IP ADDRESS, Gateway, DNS, Port Number, Host Name.
- Set the clock on line. You can revise it by your hand or connect to the time server to revise everyday
- Provide 40 in/out trigger setup
- Provide 16 alarm clock setup
- Upgrade firmware on line
- You can backup or restore the user log directly
- You can import all logs directly on line

2.2.3 Door mode

- Provide 255 time set, 255 time zone, 200 group, 100 holiday
- You can connect 16 reader to control 8 doors mostly
- You can connect door lock controller or elevator controller to set the type of reader, relay trigger, lock release time zone and anti-pass back level for every entrance
- Monitor every entrance status on line
- You can turn on or close door security by real situation

2.2.4 Log

- Access log: each user or employee can check in or out log by through any computer
- Query log by user number, terminal number, department, function key or time period
- Query user first in and last out log in one day
- Export the in/out log (TXT and XLS format)
- Download the log by using the software program

2.2.5 Authentication

- Authentication at the terminal by Card/Password
- Collocate with group, time zone, card+password

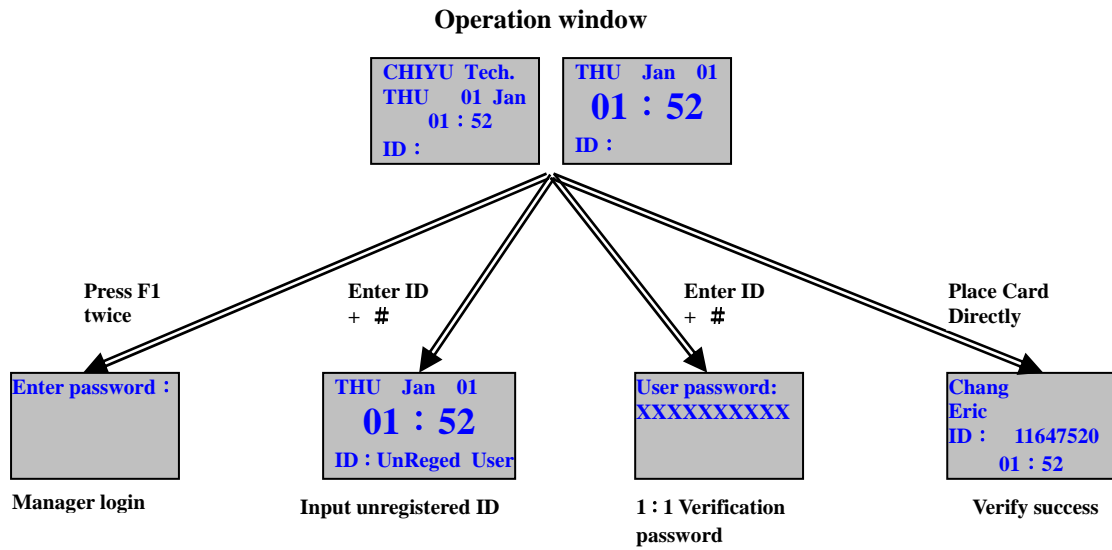
2.2.6 Real time event

- Display user I.D. Name on LCD at authentication time.

2.2.7 Auxiliary function

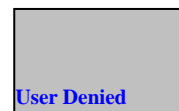
- Exit button
- Relay out for lock driver

3 Operation window

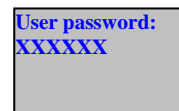


Function key description :

- F1** : Enter Administrator Mode
Function key for Time & Attendance
- F2** : Function key for Time & Attendance
- F3** : Delete (Backspace)
Function key for Time & Attendance
- F4** : Function key for Time & Attendance
- #** : Confirm
- *** : Cancel
- 0** ~ **9** : Number key



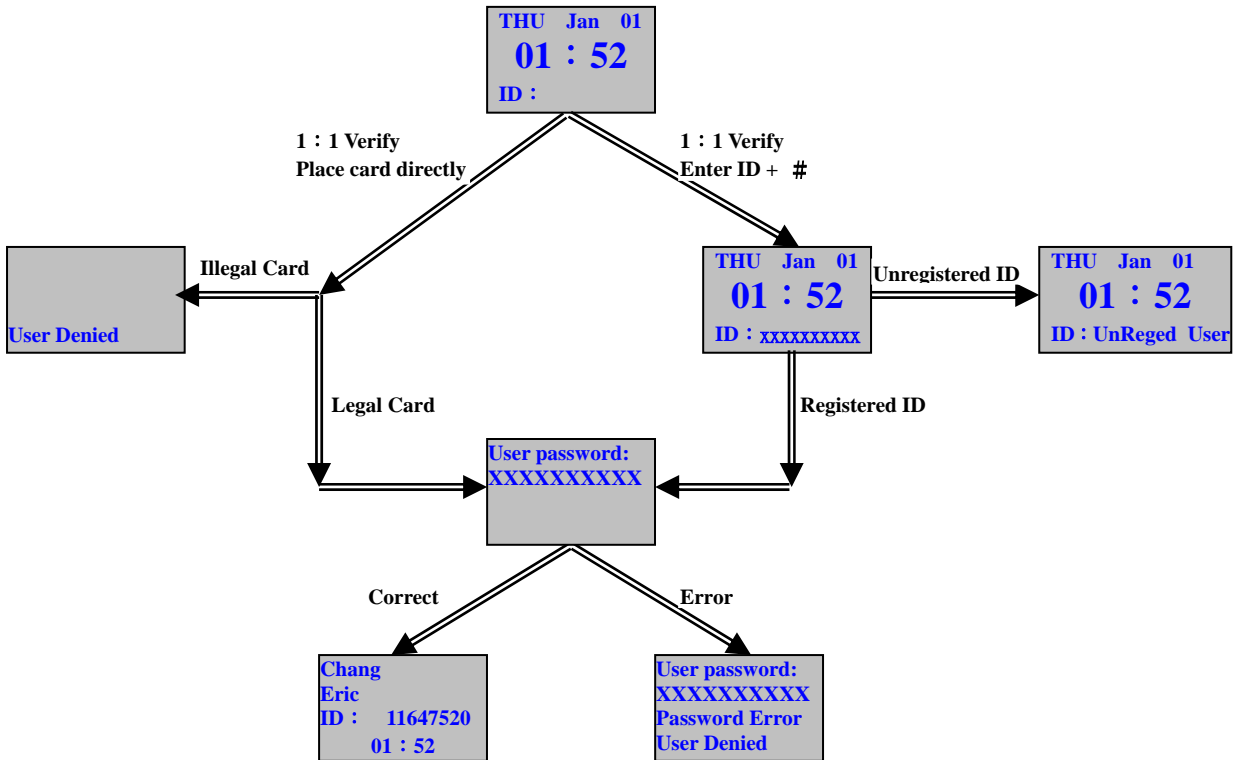
Illegal card



Asking password verify

4 User's Menu

4.1 For password verify user (1:1 verify)



☞ Operation description :

1 : 1 verify , max. 5000 users

Method 1 :

~ Enter ID

Press #

~ Enter password
6~10 digit

Press #

Method 2 :

Place sensor card on the coil directly

~ Enter password
6~10 digit

Press #

☞ Function key description :

: Enter Administrator Mode
Function key for Time & Attendance

: Function key for Time & Attendance

: Delete (Backspace)
Function key for Time & Attendance

: Function key for Time & Attendance

: Confirm

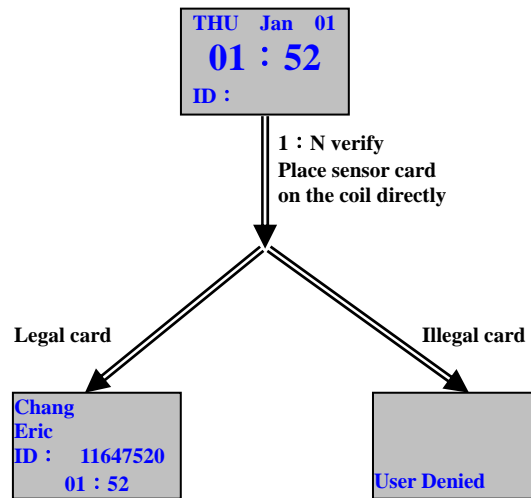
: Cancel

~ : Number key

Note : 1. If you use function key please press function key first

2. If you want to show name on LCD then you must enter name in BF-880X/870X web

4.2 For card verify user (1:N verify)



☞ Operation description :

1 : N verify , max. 5000 users
Place sensor card on the coil directly

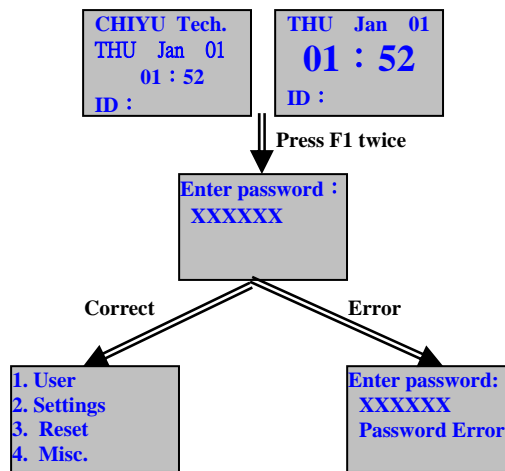
- Note :**
1. If you use function key please press function key first
 2. If you want to show name on LCD then you must enter name in BF-880X/870X web setting

☞ Function key description :

- F1** : Enter Administrator Mode
Function key for Time & Attendance
- F2** : Function key for Time & Attendance
- F3** : Delete (Backspace)
Function key for Time & Attendance
- F4** : Function key for Time & Attendance
- #** : Confirm
- *** : Cancel
- 0** ~ **9** : Number key

5 Administrator Menu

Administrator menu allows new user registration and deletion, and system configuration. Press “F1” twice to enter ◦



☞ Operation description :

- F1** Press F1 twice
- 0** ~ **9** Enter 6 digit password
default value is 111111
- #** Press #
- 0** ~ **9** Press 1~4 to select
- *** Press * to exit

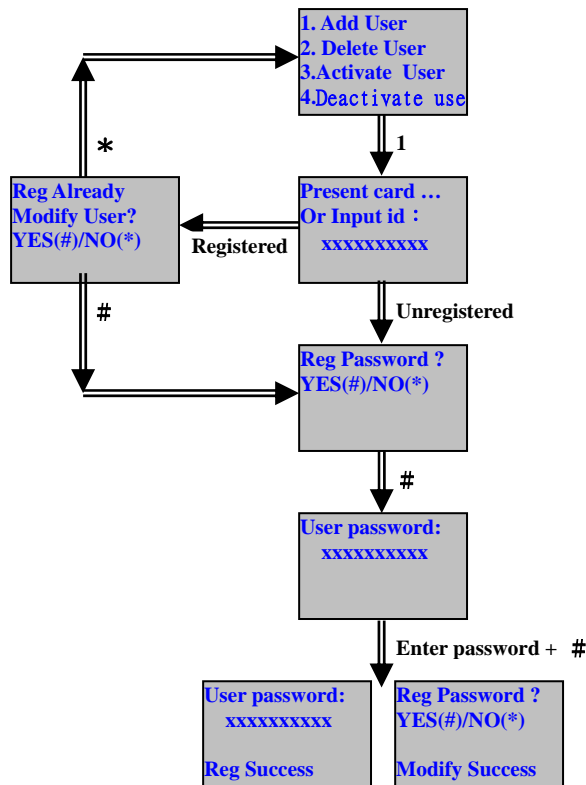
☞ Function key description :

- F1** : Enter Administrator Mode/Page Up
- F2** : Page Down
- F3** : Delete (Backspace)
- F4** : No use
- #** : Confirm
- *** : Cancel
- 0** ~ **9** : Number key

5.1 User

5.1.1 Add User : register a new user

5.1.1.1 Password verify user



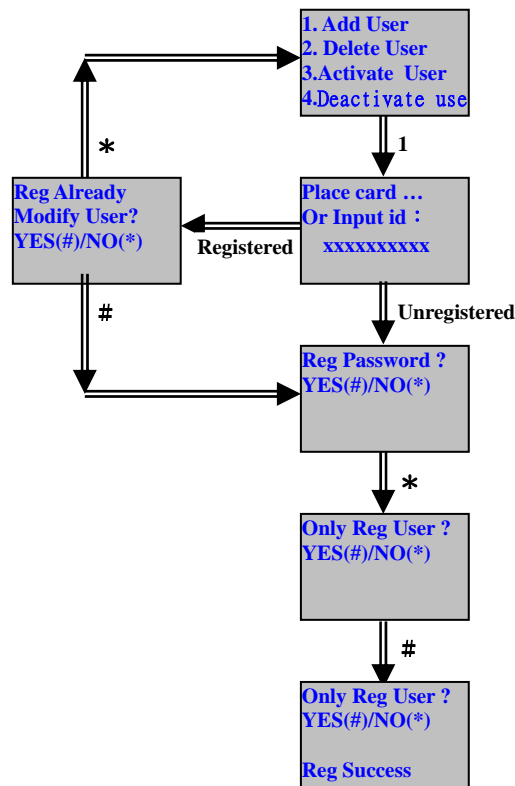
☞ Operation description :

- ~ Press 1
- ~ Enter ID or Place sensor card on the coil
- Press #
- Press # to register password
- ~ Enter password 6~10 digit
- Press #

☞ Function key description :

- : Enter Administrator Mode/Page Up
- : Page Down
- : Delete (Backspace)
- : No use
- : Confirm
- : Cancel
- ~ : Number key

5.1.1.2 Card verify user



☞ Operation description :

0 ~ **9** Press 1

Place sensor card on the coil

***** Press * to cancel password register

Press # to confirm

Note : After register success please modify open mode to card first , see 5.1.3

☞ Function key description :

F1 : Enter Administrator Mode/Page Up

F2 : Page Down

F3 : Delete (Backspace)

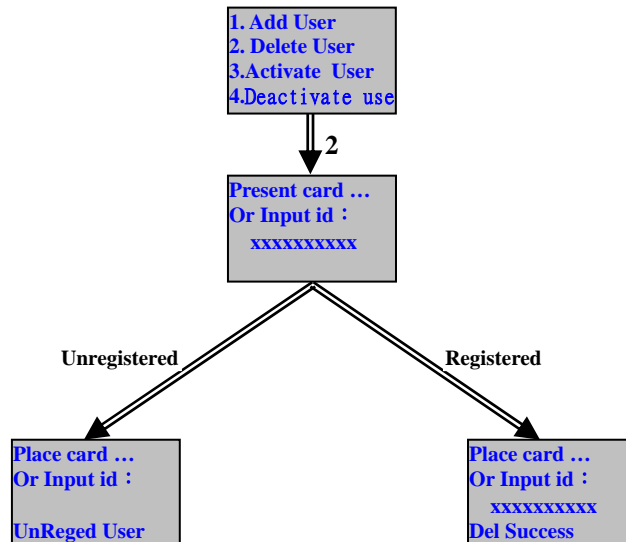
F4 : No use

: Confirm

***** : Cancel

0 ~ **9** : Number key

5.1.2 Delete User : Del one registered user



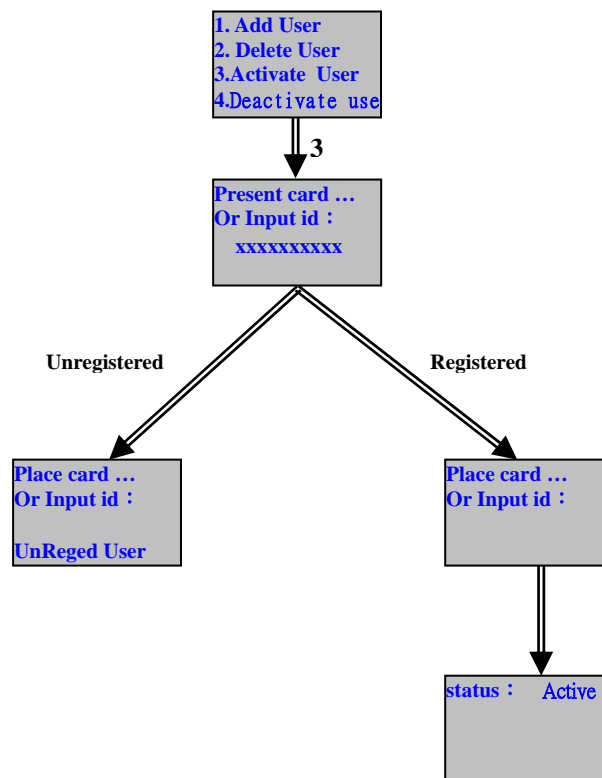
☞ Operation description :

- 0 ~ 9** Press 2
- 0 ~ 9** Enter ID or Place sensor card on the coil
- #** Press #

☞ Function key description :

- F1** : Enter Administrator Mode/Page Up
- F2** : Page Down
- F3** : Delete (Backspace)
- F4** : No use
- #** : Confirm
- *** : Cancel
- 0 ~ 9** : Number key

5.1.3 Activate User : To enable authority of user for using BF-660C



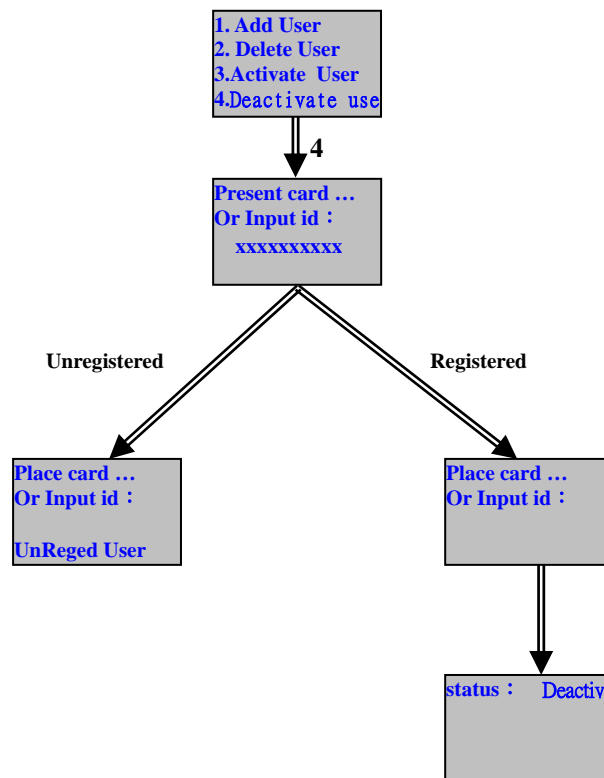
☞ Operation description :

- 0 ~ 9** Press 3
- 0 ~ 9** Enter ID or Place sensor card on the coil
- #** Press #

☞ Function key description :

- F1** : Enter Administrator Mode/Page Up
- F2** : Page Down
- F3** : Delete (Backspace)
- F4** : No use
- #** : Confirm
- *** : Cancel
- 0 ~ 9** : Number key

5.1.4 Deactivate Use : To disenable authority of user for using BF-880X/870X



☞ Operation description :

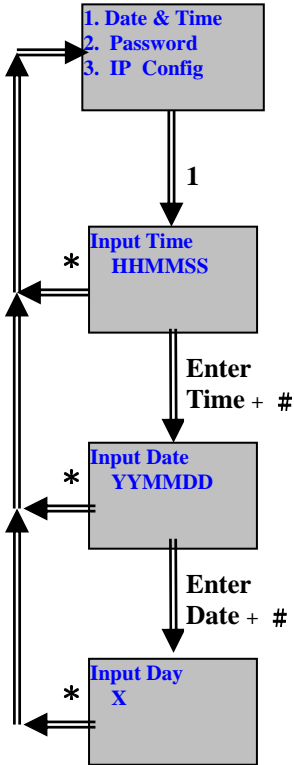
- 0 ~ 9** Press 4
- 0 ~ 9** Enter ID or Place sensor card on the coil
- #** Press #

☞ Function key description :

- F1** : Enter Administrator Mode/Page Up
- F2** : Page Down
- F3** : Delete (Backspace)
- F4** : No use
- #** : Confirm
- *** : Cancel
- 0 ~ 9** : Number key

5.2 Settings

5.2.1 Date & Time: Set time、date and week of BF-880X/870X



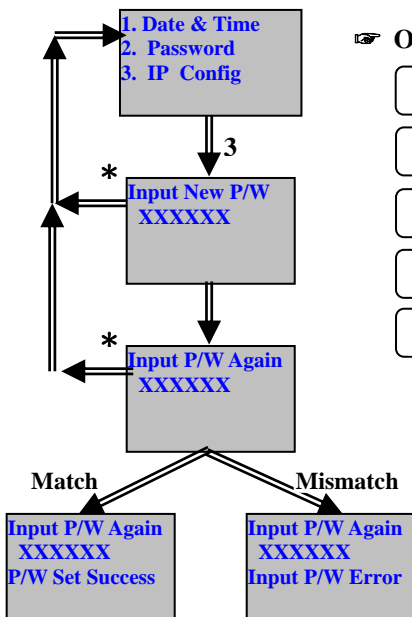
Operation description :

- ~ Press 1
- ~ Enter time HHMMSS
-
- ~ Enter date YYMMDD
- Press #
- ~ Enter week 1~7
- Press #

Function key description :

- : Enter Administrator Mode/Page Up
- : Page Down
- : Delete (Backspace)
- : No use
- : Confirm
- : Cancel
- ~ : Number key

5.2.2 Password: Change manager's password



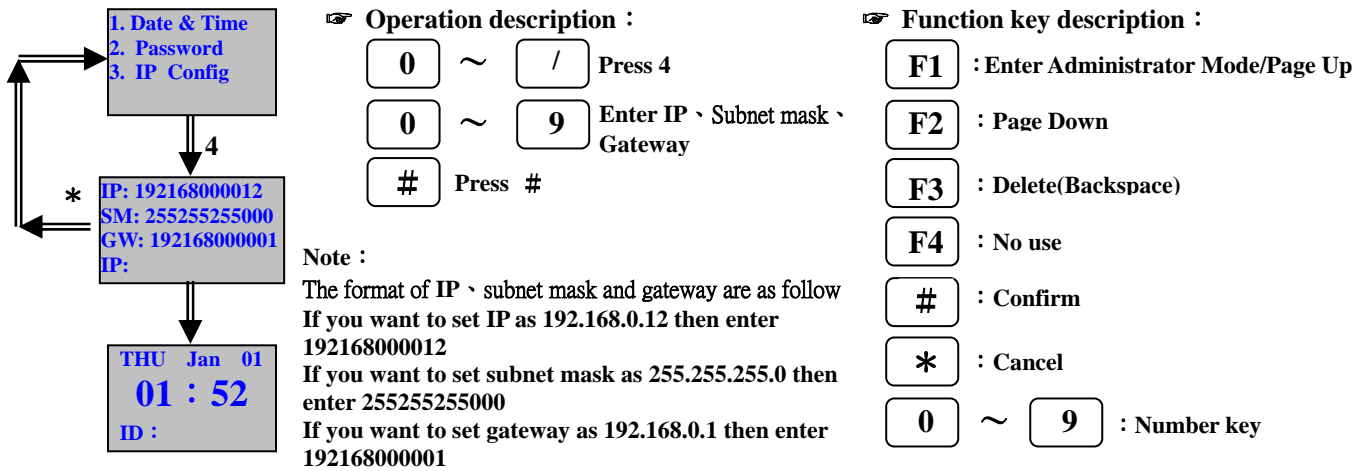
Operation description :

- ~ Press 3
- ~ Enter 6 digit password
- Press #
- ~ Enter 6 digit password
- Press #

Function key description :

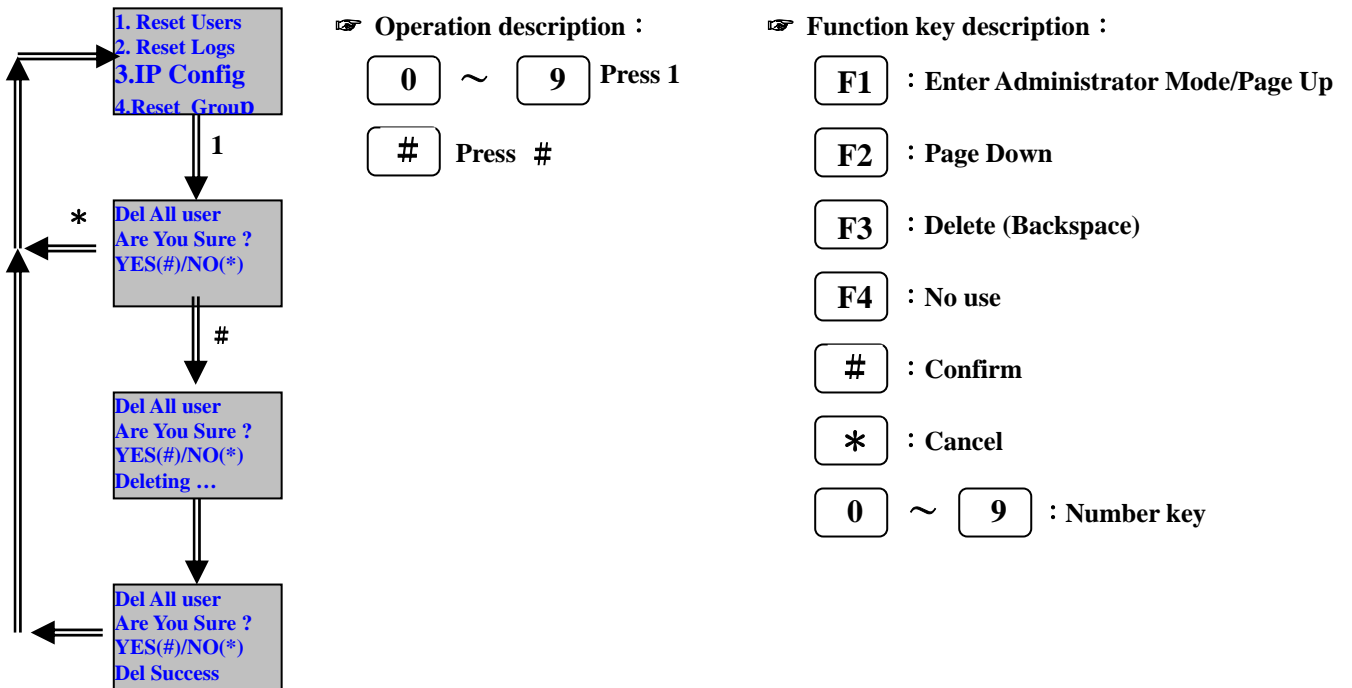
- : Enter Administrator Mode/Page Up
- : Page Down
- : Delete(Backspace)
- : No use
- : Confirm
- : Cancel
- ~ : Number key

5.2.3 IP Config: Set IP data of BF-880X/870X

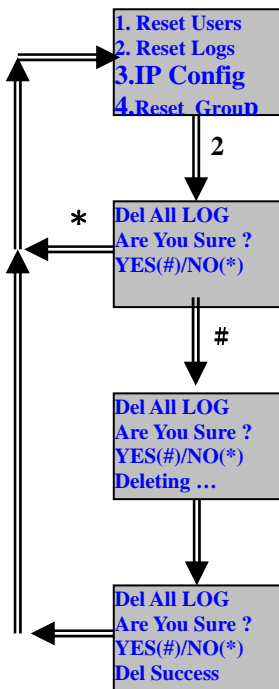


5.3 Settings

5.3.1 Reset Users : Delete all registered users



5.3.2 Reset Logs : Delete all logs



☞ Operation description :

0 ~ **9** Press 2

Press

☞ Function key description :

F1 : Enter Administrator Mode/Page Up

F2 : Page Down

F3 : Delete (Backspace)

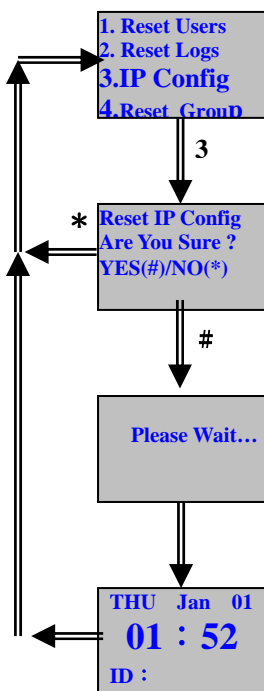
F4 : No use

: Confirm

***** : Cancel

0 ~ **9** : Number key

5.3.3 IP Config : Reset IP to factory default



☞ Operation description :

0 ~ **9** Press 3

Press

☞ Function key description :

F1 : Enter Administrator Mode/Page Up

F2 : Page Down

F3 : Delete (Backspace)

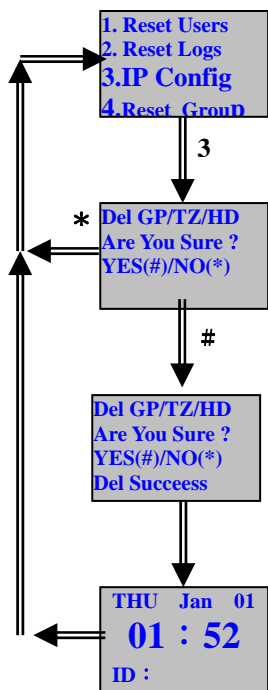
F4 : No use

: Confirm

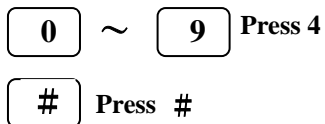
***** : Cancel

0 ~ **9** : Number key

5.3.4 Reset Group



☞ Operation description :

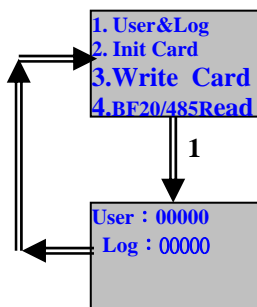


☞ Function key description :

- F1** : Enter Administrator Mode/Page Up
- F2** : Page Down
- F3** : Delete (Backspace)
- F4** : No use
- #** : Confirm
- *** : Cancel
- 0** ~ **9** : Number key

5.4 Misc.

5.4.1 User&Log : Display total number of registered users and total number of logs



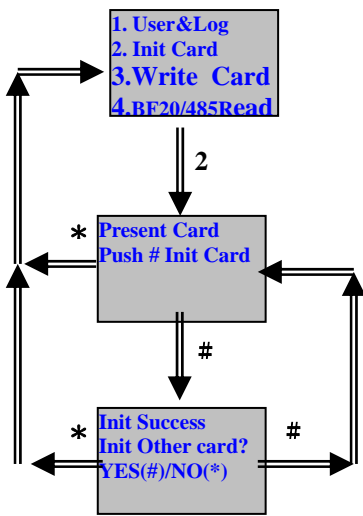
☞ Operation description :



☞ Function key description :

- F1** : Enter Administrator Mode/Page Up
- F2** : Page Down
- F3** : Delete (Backspace)
- F4** : No use
- #** : Confirm
- *** : Cancel
- 0** ~ **9** : Number key

5.4.2 Init Card : Initial TM card to EM format



☞ Operation description :

~ Press 2

Press #

Place sensor card on the coil

☞ Function key description :

: Enter Administrator Mode/Page Up

: Page Down

: Delete (Backspace)

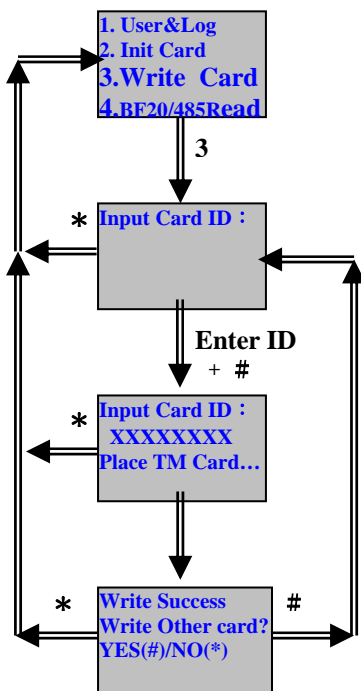
: No use

: Confirm

: Cancel

~ : Number key

5.4.3 Write Card : Write ID number to TM card



☞ Operation description :

~ Press 3

~ Enter ID+ #

Place sensor card on the coil

☞ Function key description :

: Enter Administrator Mode/Page Up

: Page Down

: Delete (Backspace)

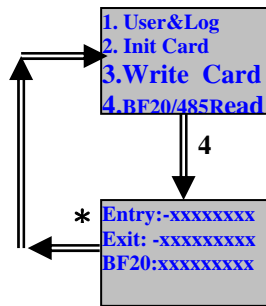
: No use

: Confirm

: Cancel

~ : Number key

5.4.4 BF20/485 Reader



☞ Operation description :

0 ~ **9** Press 2

Press

Place sensor card on the coil

☞ Function key description :

F1 : Enter Administrator Mode/Page Up

F2 : Page Down

F3 : Delete (Backspace)

F4 : No use

: Confirm

***** : Cancel

0 ~ **9** : Number key

6 Specifications

6.1 Module Features

- Main board
- Keyboard module
- LCD module
- Build-In Card Reader

6.2 Power Supply

6.2.1 Voltage

- +9V to +30V DC

6.2.2 Current

- Average: 300Ma, 12V
- Maximum power consumption: 500mA

6.3 Environment

6.3.1 Temperature and humidity

- Operating temperature: 0°C to 55°C
- Storage temperature: -20°C to 85°C
- Operating humidity: 0% to 95%
- Storage humidity: 0% to 95%

6.3.2 Immunity to electro static discharge

- 0~4kV contact discharge: No unrecoverable error °
- 0~8kV air discharge: No user detectable error °

6.4 Communication

- 1 RJ-45 port(10/100M) for management
- 1 rs-232 port
- 1 RS-485 port
- Meet RS232, RS485 specifications

6.5 Drivers

- 2 Relay Out (COM, NO, NC)

6.6 Capacity

- 5000 persons with 1 card/1 password per person.

6.7 Log entry memory

- 65000 log entries total.

6.8 Size(yet to be set)

- BF-880X: 170 mm(H) X 143 mm(W) X 48 mm(D)
- BF-870X: 156 mm(H) X 140 mm(W) X 50 mm(D)

6.9 Weight

- BF-880X: 480g.
- BF-870X: 385g.

6.10 Authentication time

- Average : shorter than 1 second.

6.11 Register time

- Average: shorter than 2 second

6.12 Input

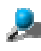
- 10 number keys + 6 function keys

6.13 Display

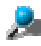
- 1 Buzzer
- 1 LCD: 128 X 64 pixels
- 2 LED

7 Appendix

7.1 Note

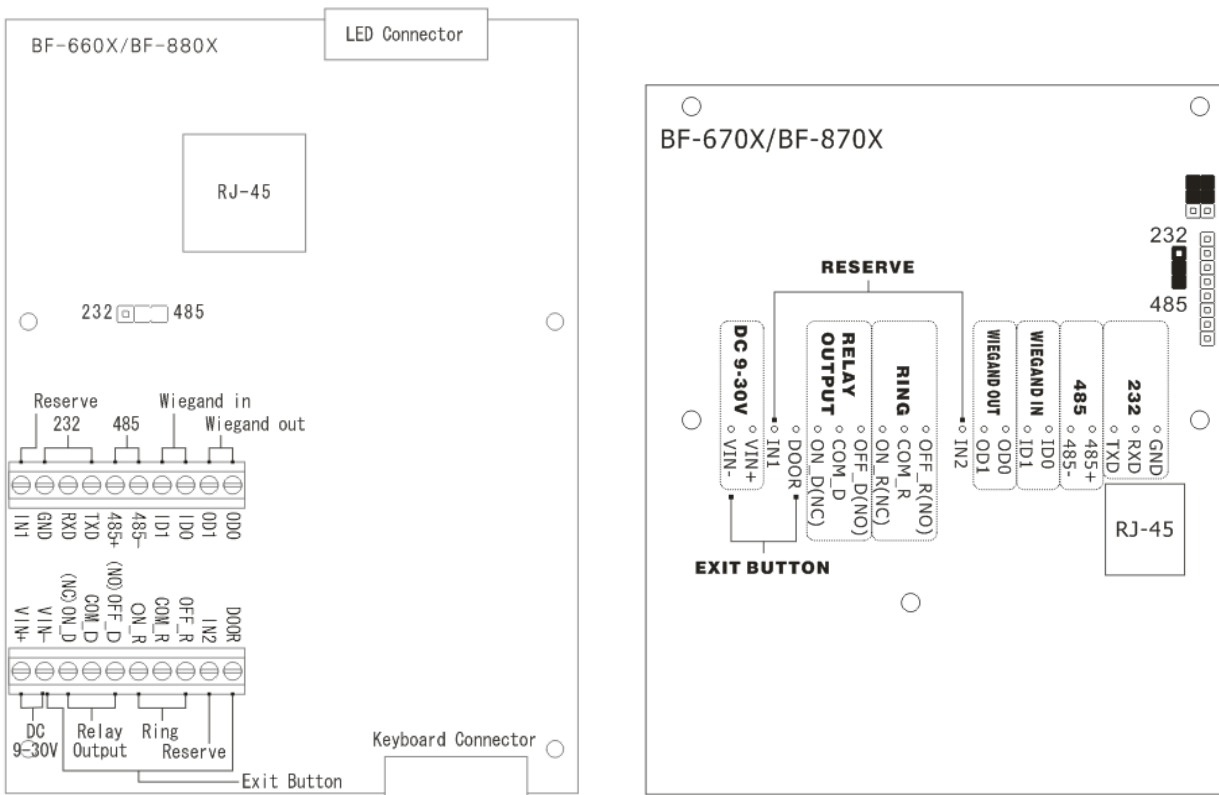
 **The first thing when you install BF-880X/870X**

- Please change the system password first. BF-880X/870X's password is fixed at "111111" initially. It makes a security problem.

 **Please do these when BF-880X/870X has out of function.**

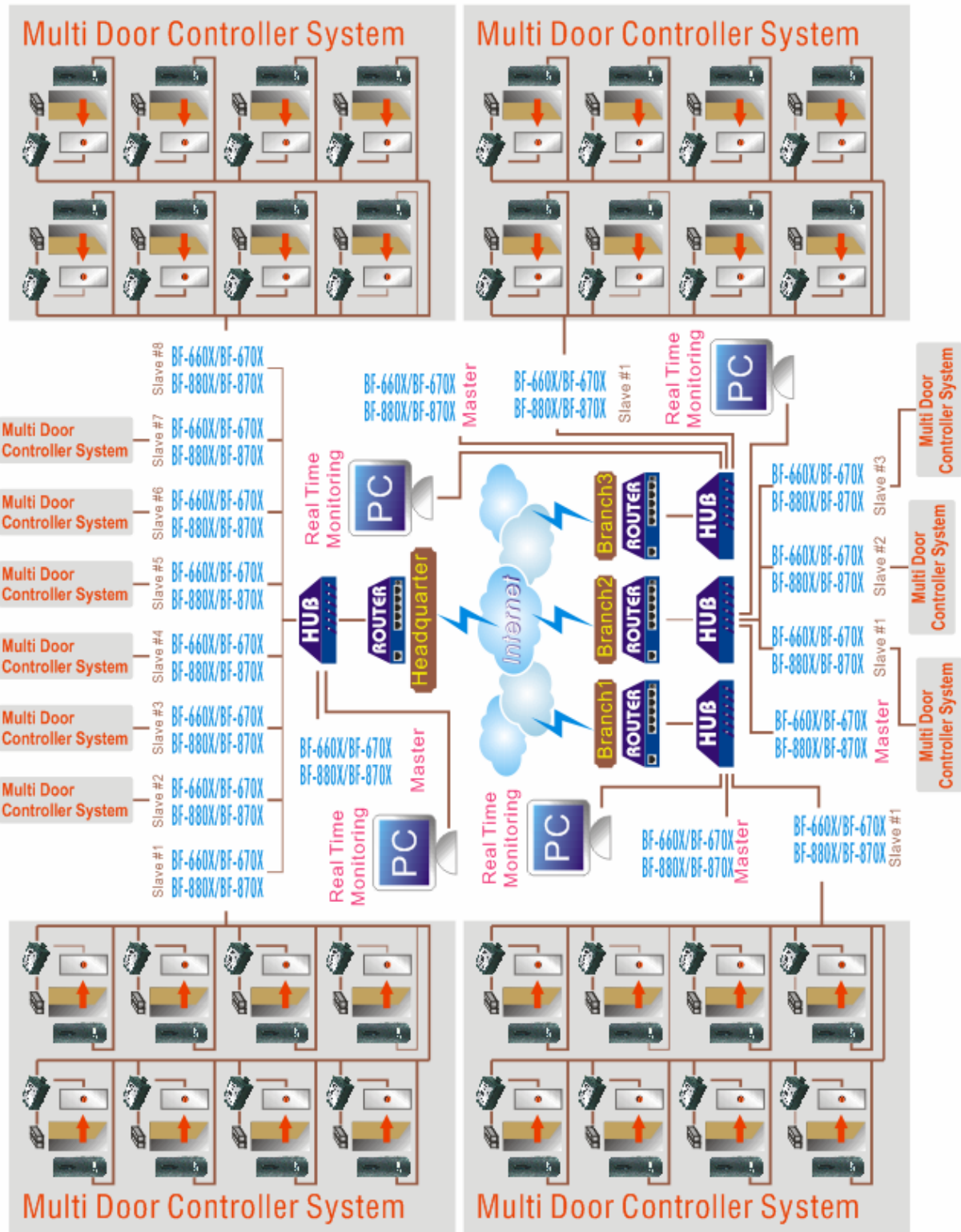
- Power off and power on again, so initialize BF-880X/870X. After initializing BF-880X/870X, if it has same status still, please calls on Chiyu's service center.

7.2 External connector

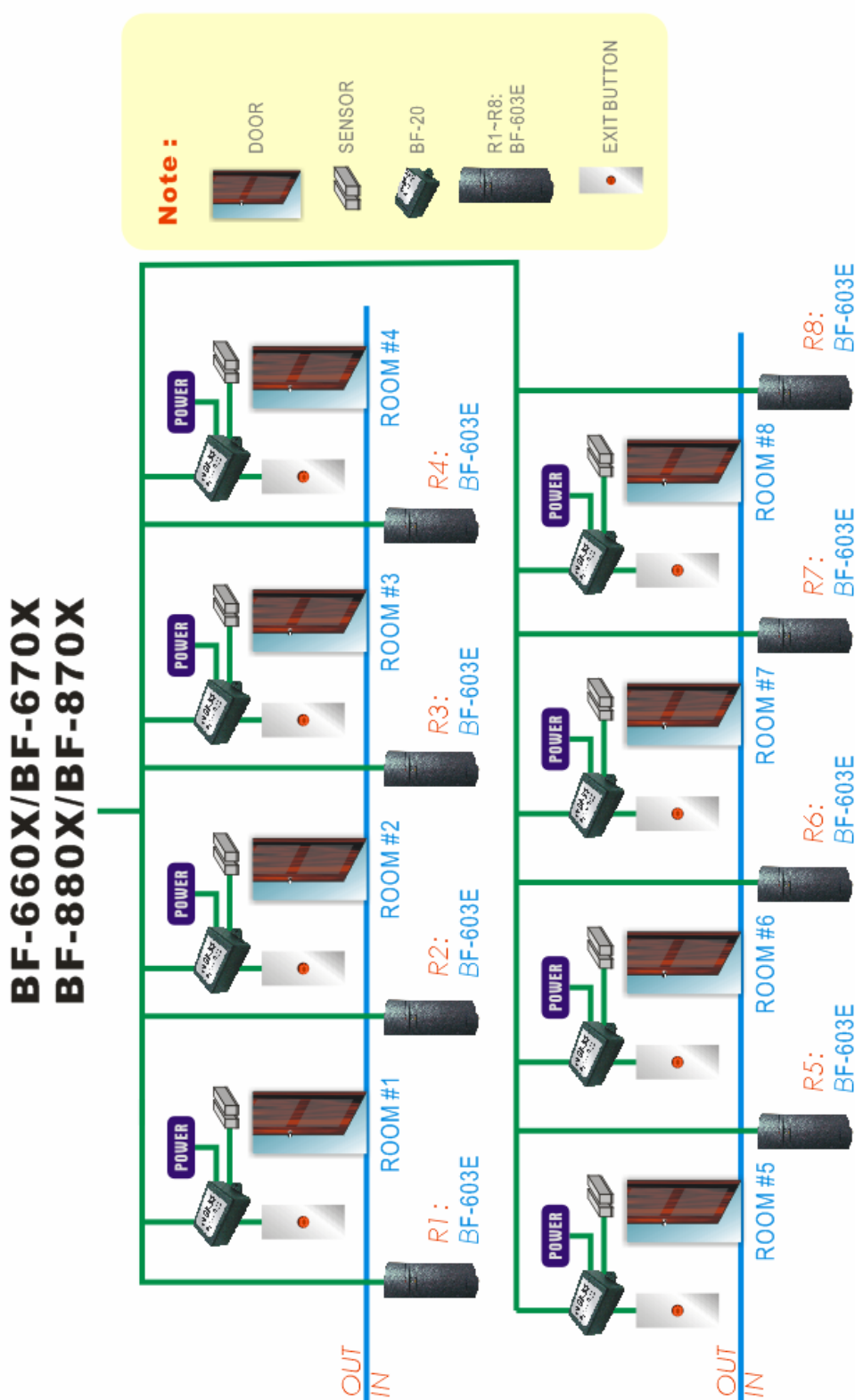


7.3 Connection example

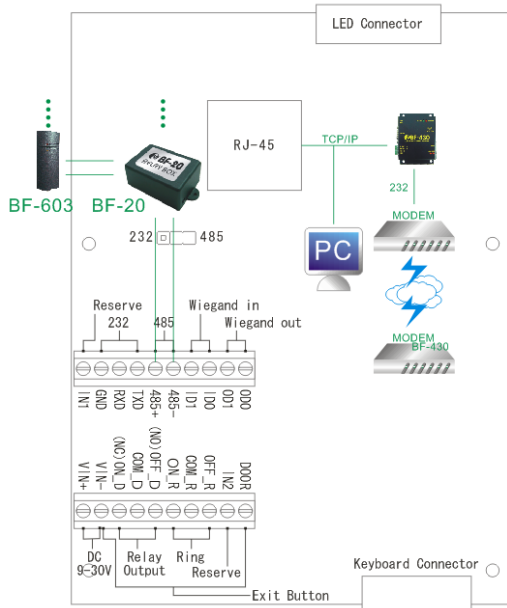
- Time & Attendance System Application



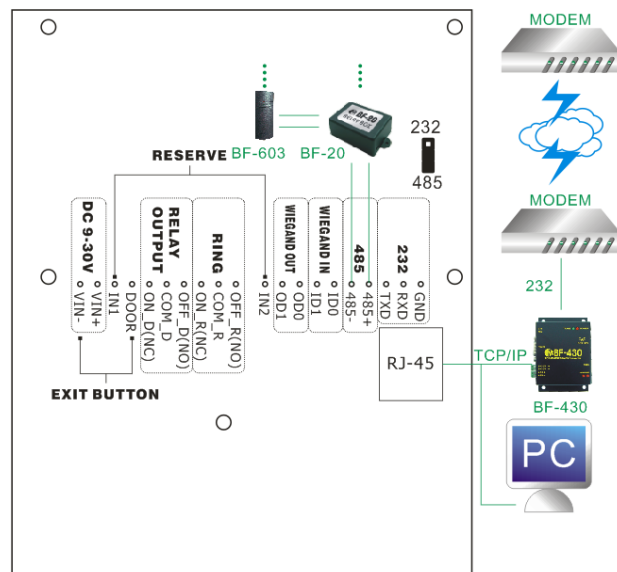
- Multi-doors Control System Application



● 485 Connection example



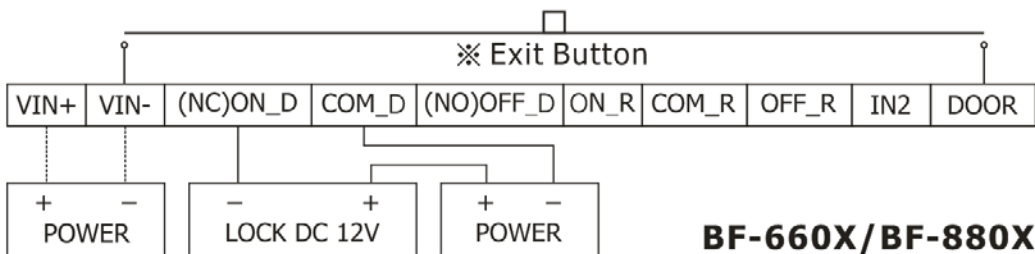
【BF-660X/BF-880X】



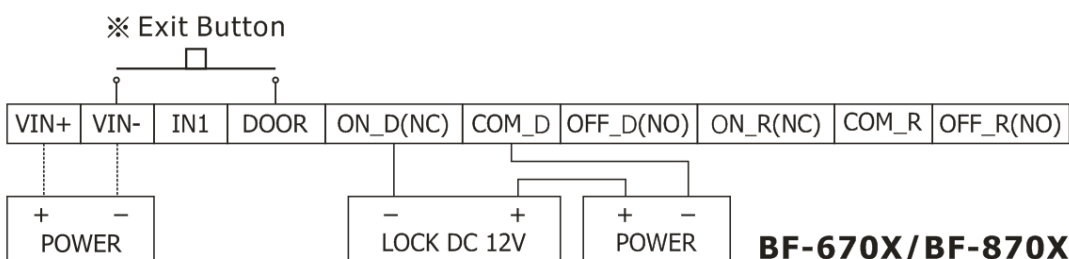
【BF-670X/BF-870X】

● Electronic Lock Control

Lock open when lock is power off

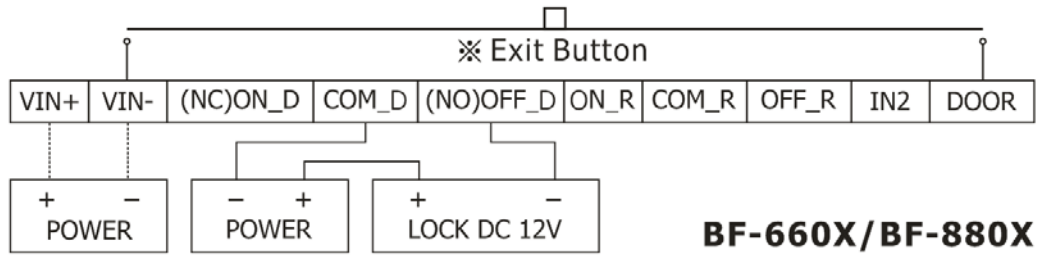


BF-660X/BF-880X

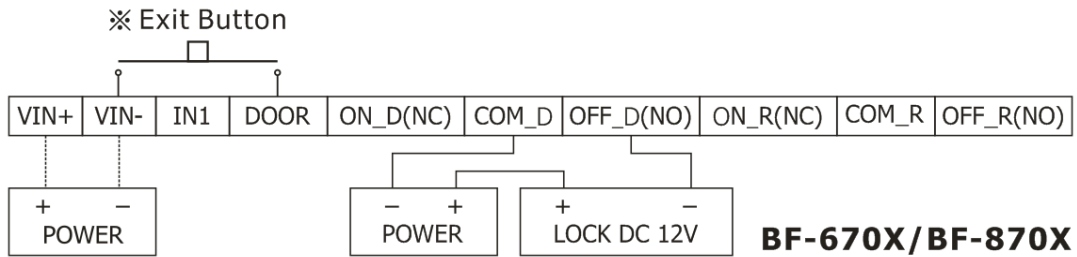


BF-670X/BF-870X

Lock open when lock is power on



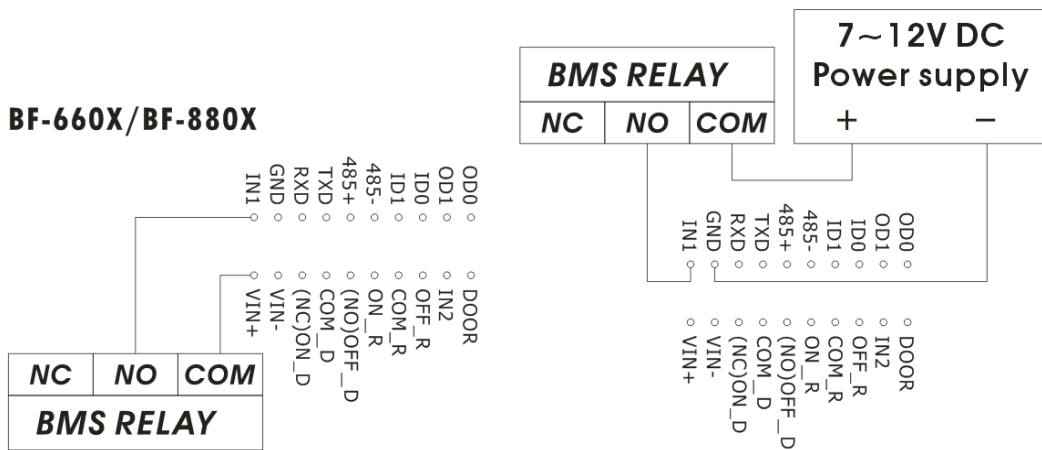
BF-660X/BF-880X



BF-670X/BF-870X

● **Fire Alarm**

BF-660X/BF-880X



BF-670X/BF-870X

